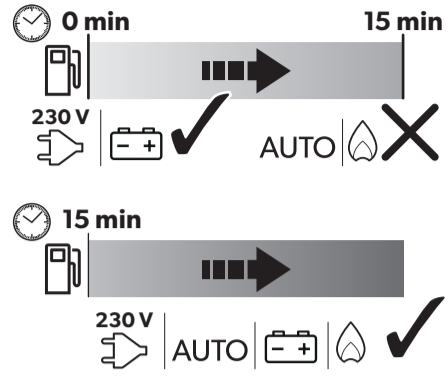
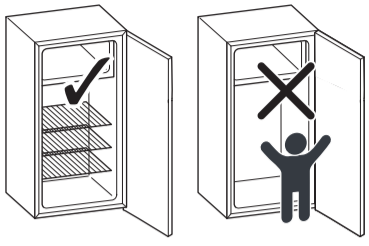


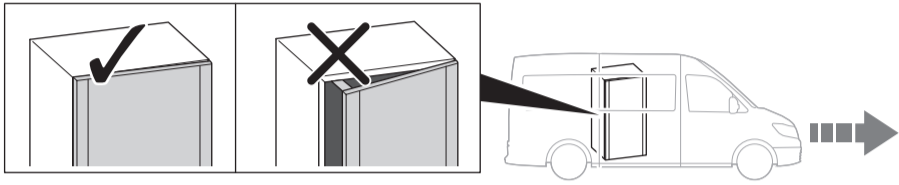
**DOMETIC**

RML 10.4G, RML 10.4P, RMD 10.5G,  
RMD 10.5XG, RMD 10.5P, RMD 10.5XP,  
RMDT 10.5G, RMDT 10.5XG,  
RMDT 10.5P, RMDT 10.5XP

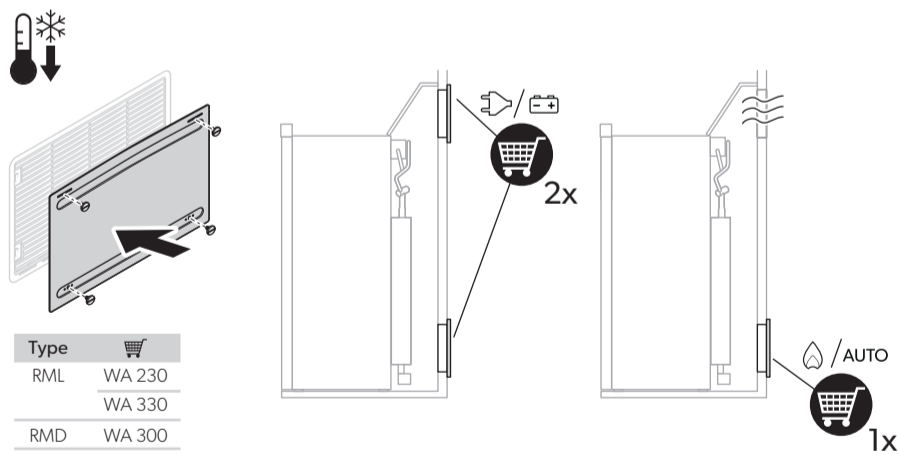
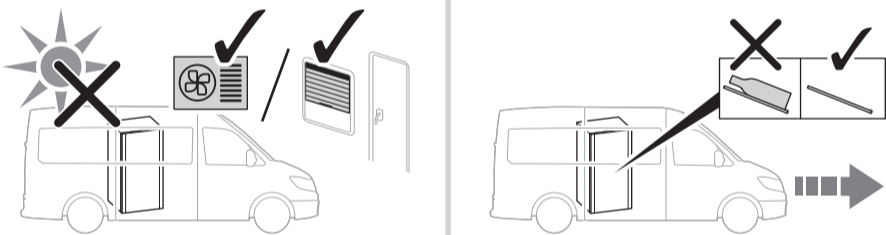
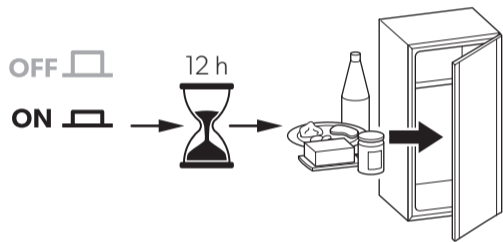
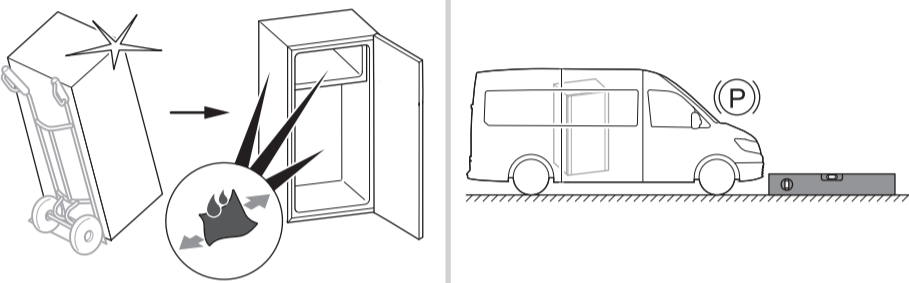
**WARNING**



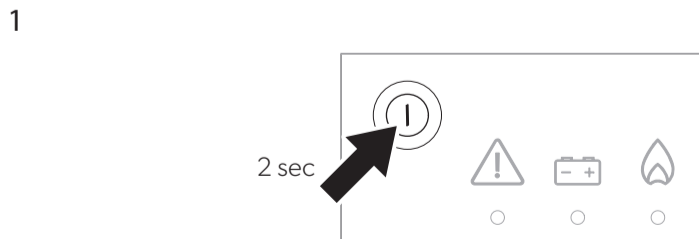
**CAUTION**



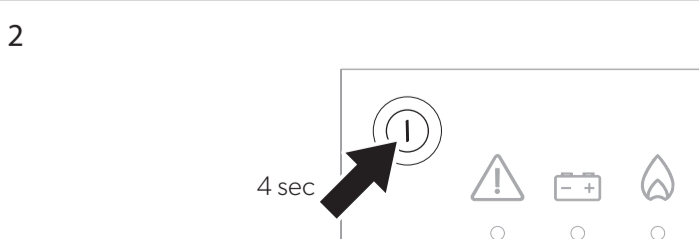
**NOTICE**



**ON**

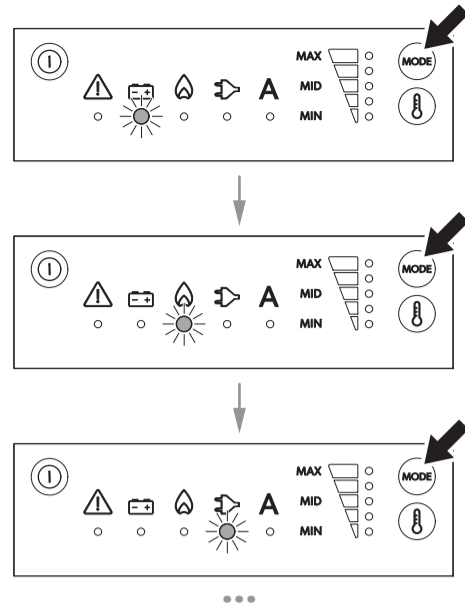


**OFF**



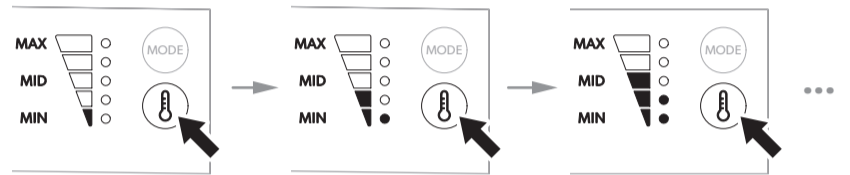
**Operation**

3



**Cooling Capacity**

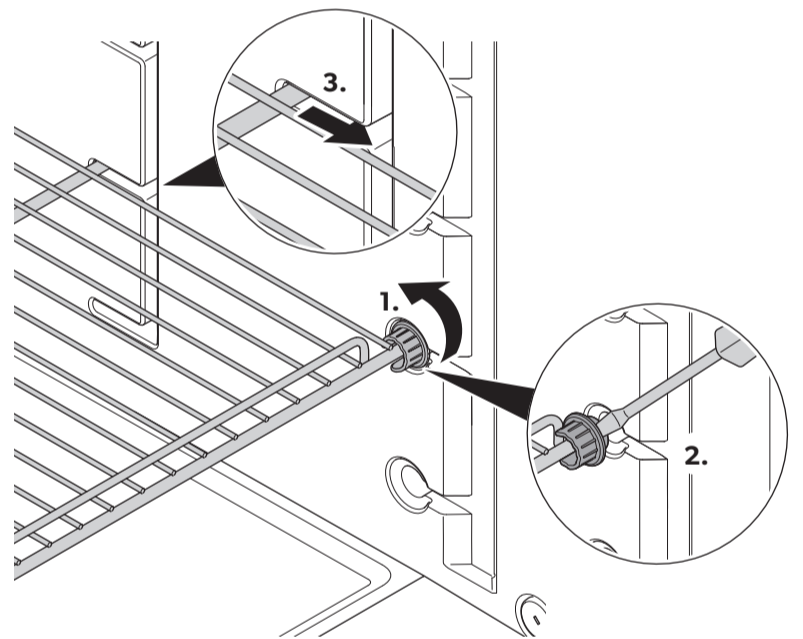
4



**Shelves**

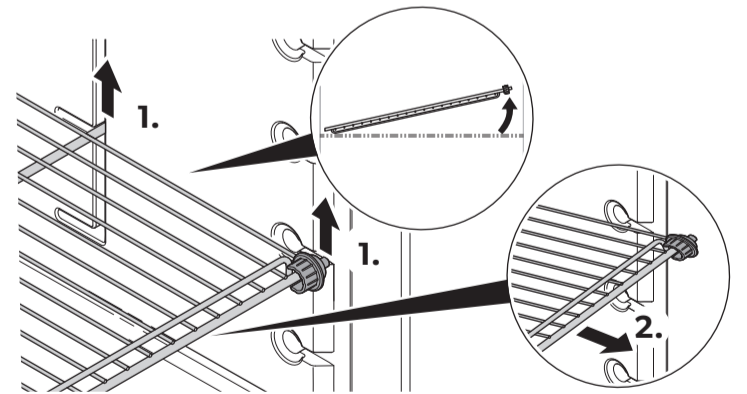
5

**Out**

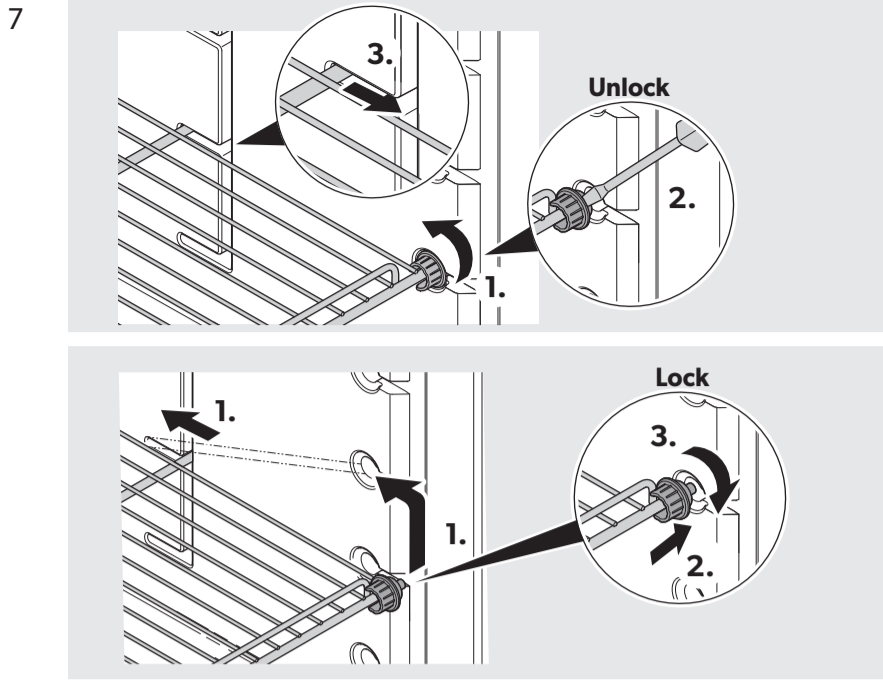


6

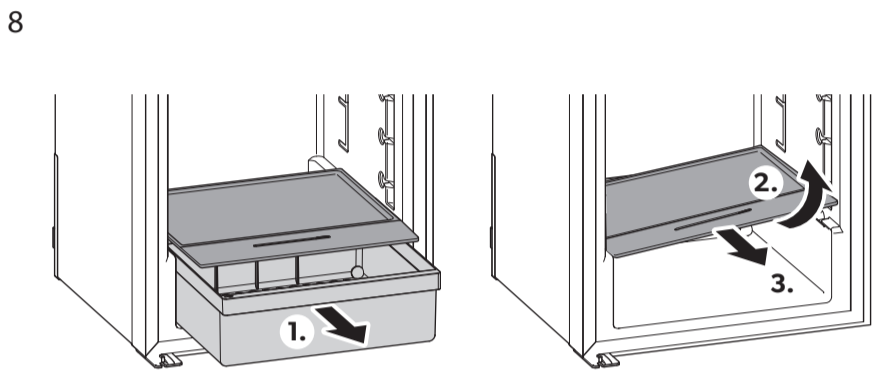
**In**



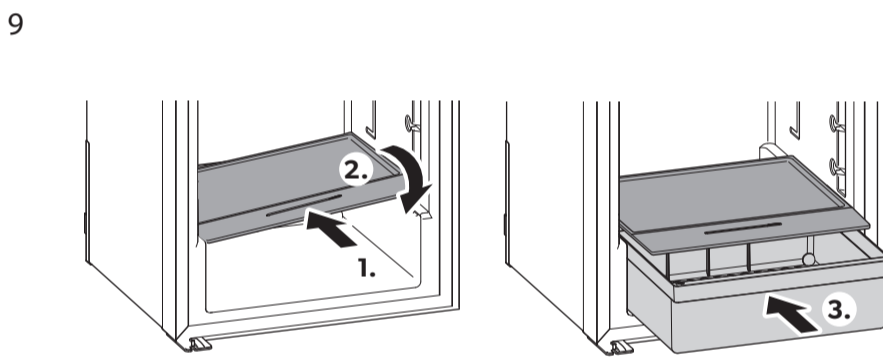
Shelf Angle



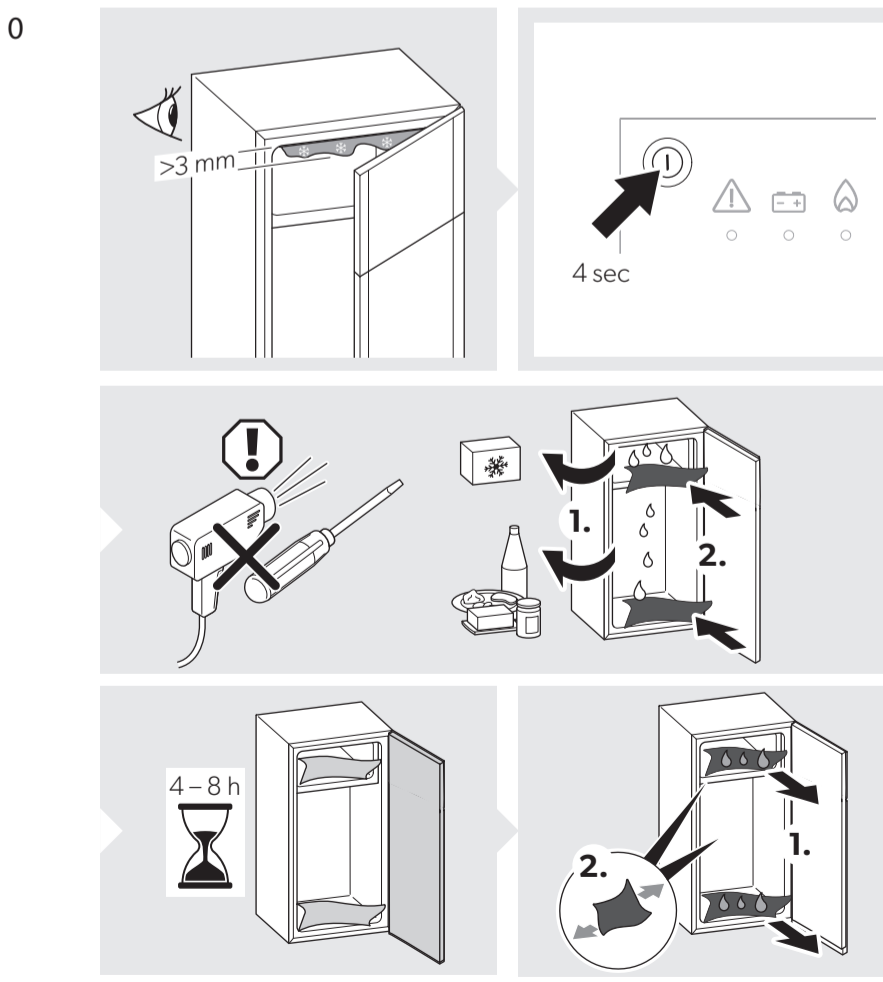
VG Fresh Base Out



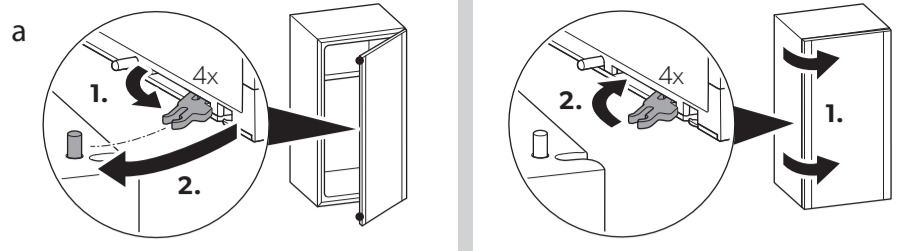
VG Fresh Base In



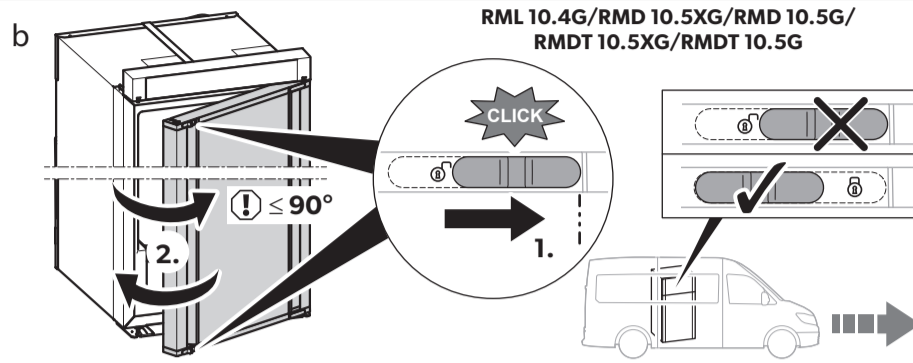
Defrost



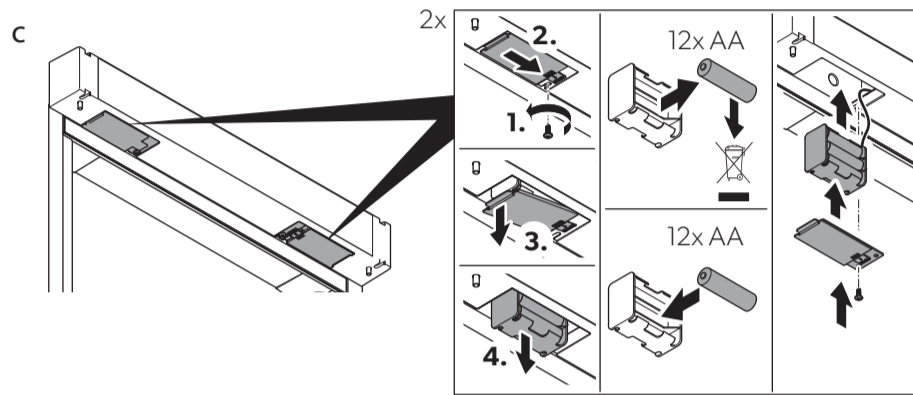
Winter



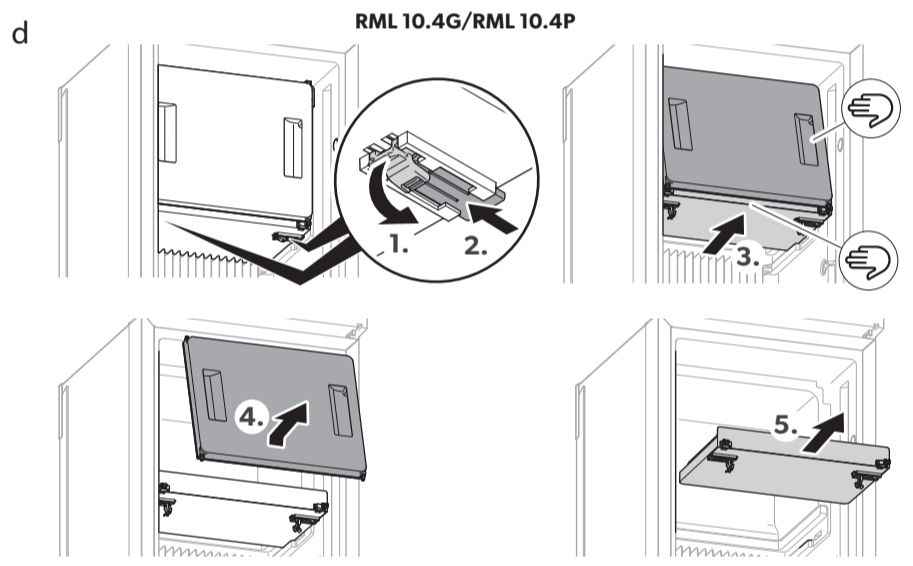
Releasing Door



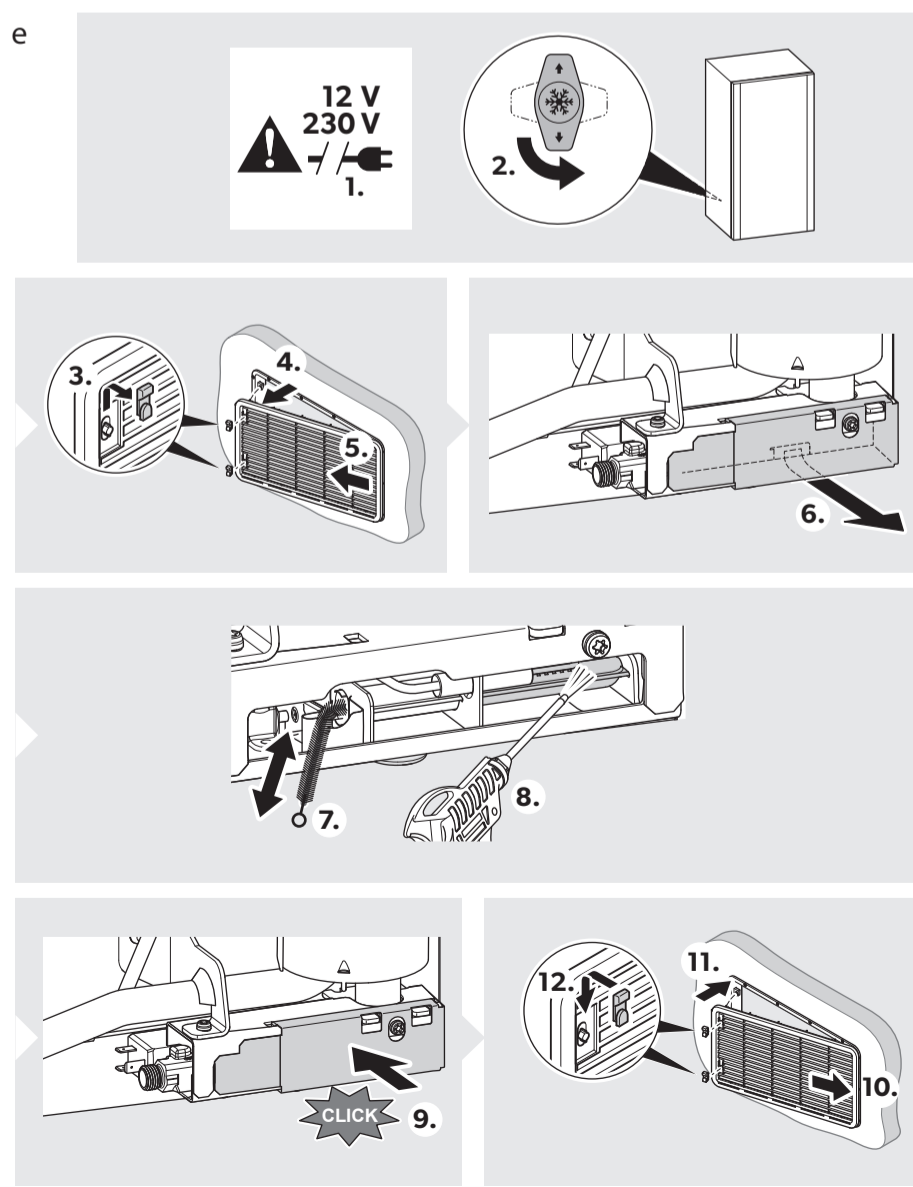
Batteries



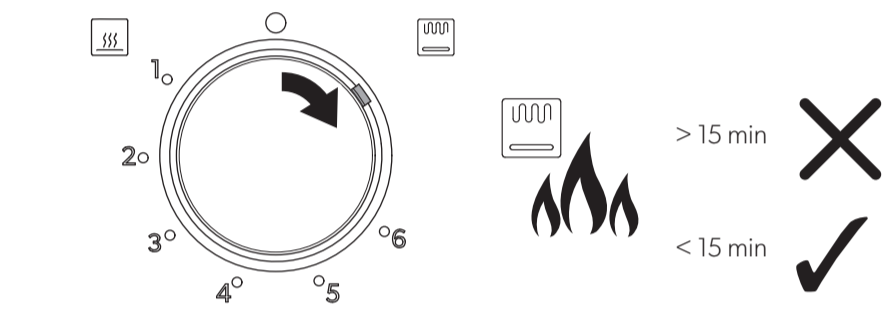
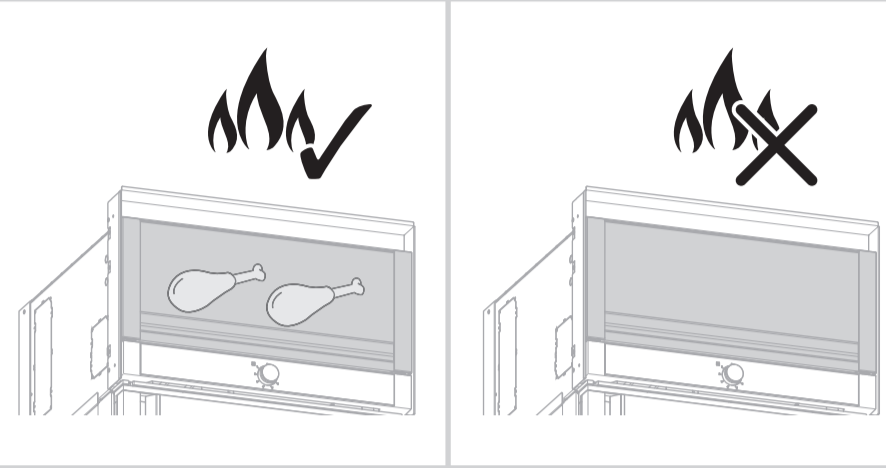
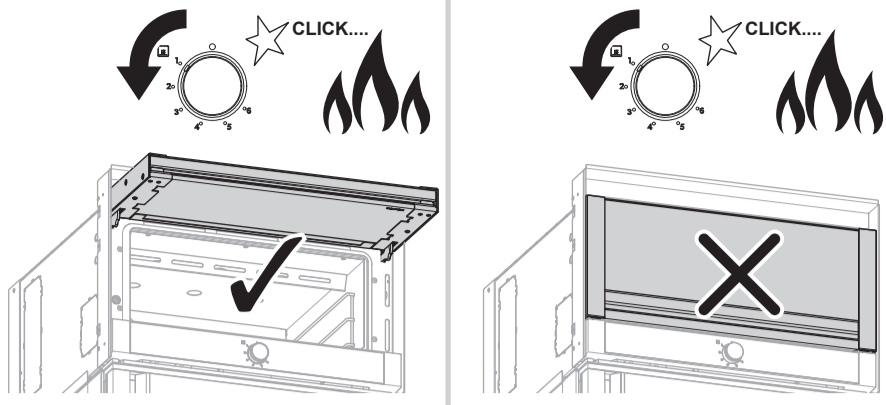
Removing Freezer



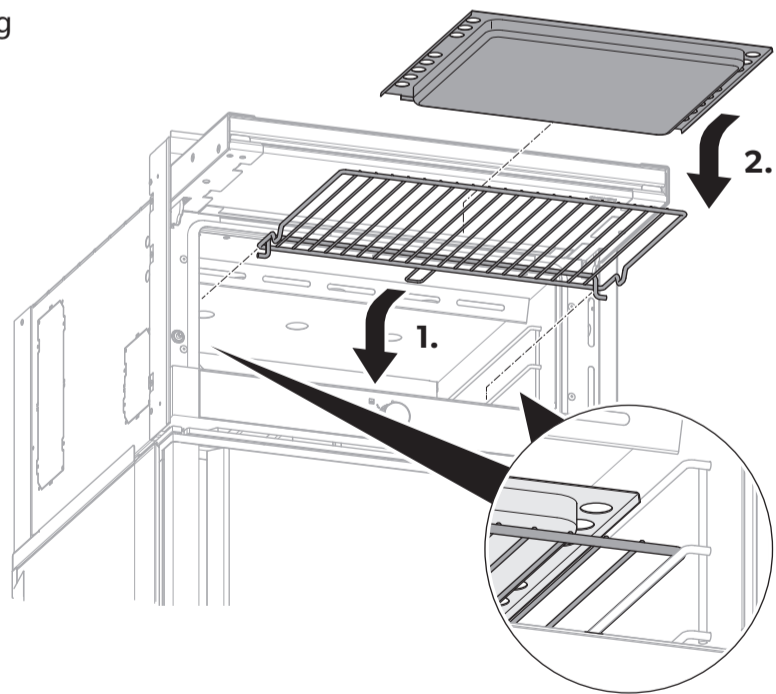
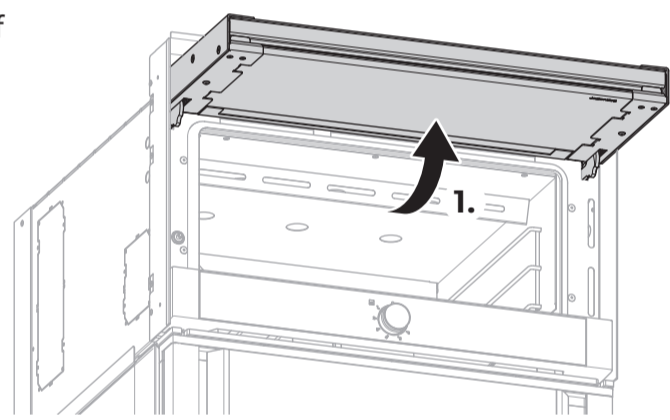
Cleaning Gas Burner



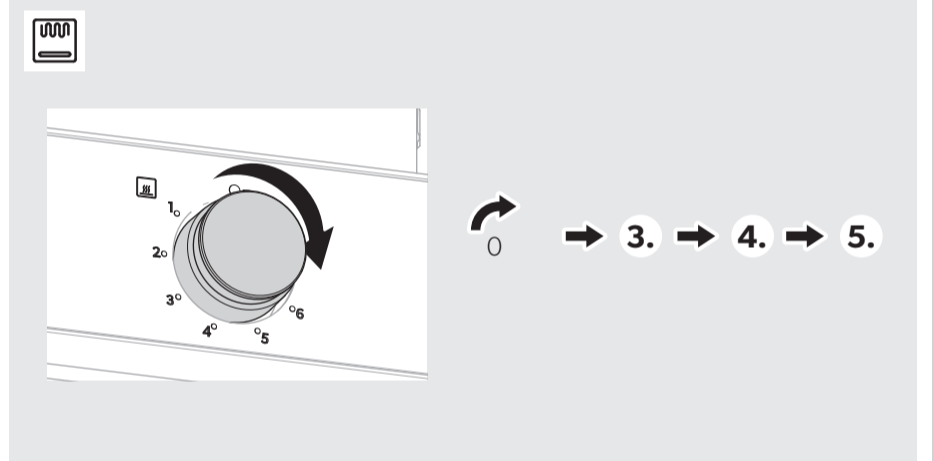
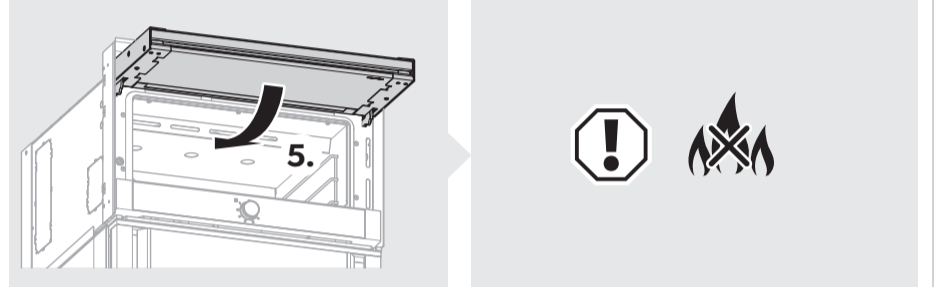
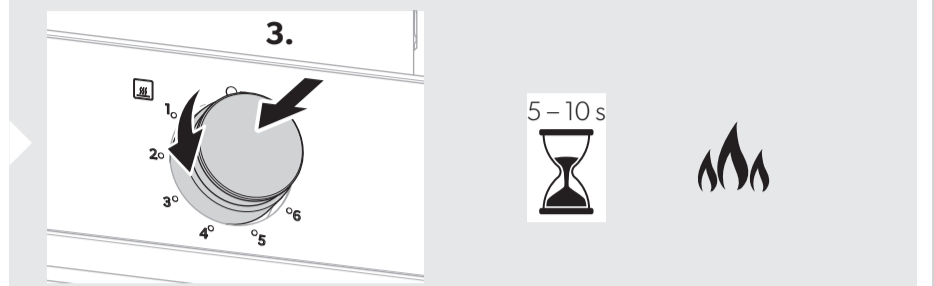
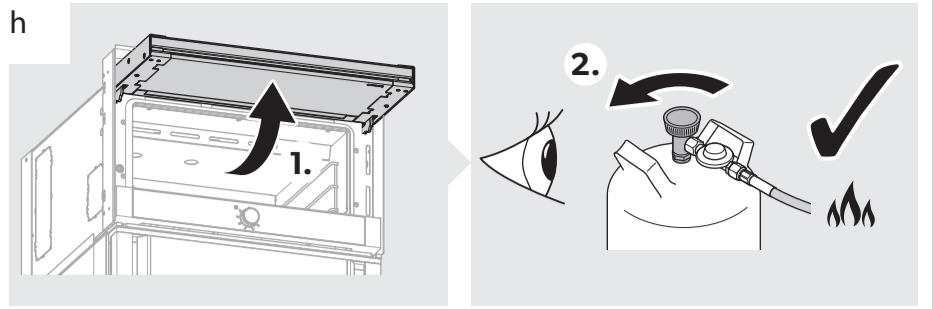
**NOTICE**



**Oven Shelves**



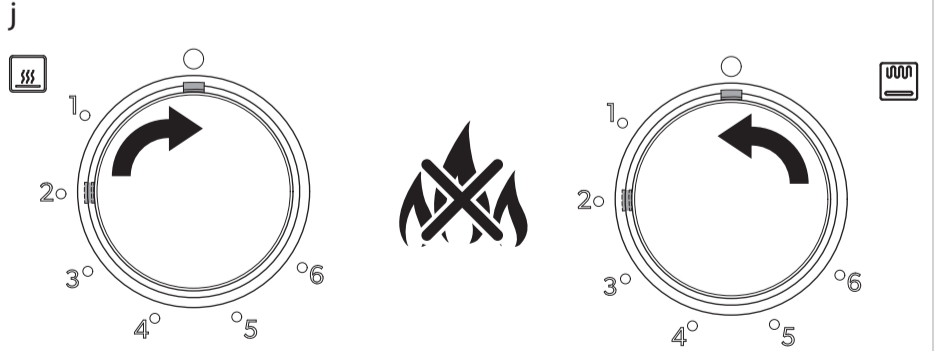
**Oven/Grill ON**



**Oven Temperature**

Position	Temperature (°C)
1	130 ± 20
2	150 ± 20
3	170 ± 20
4	190 ± 20
5	210 ± 20
6	230 ± 20

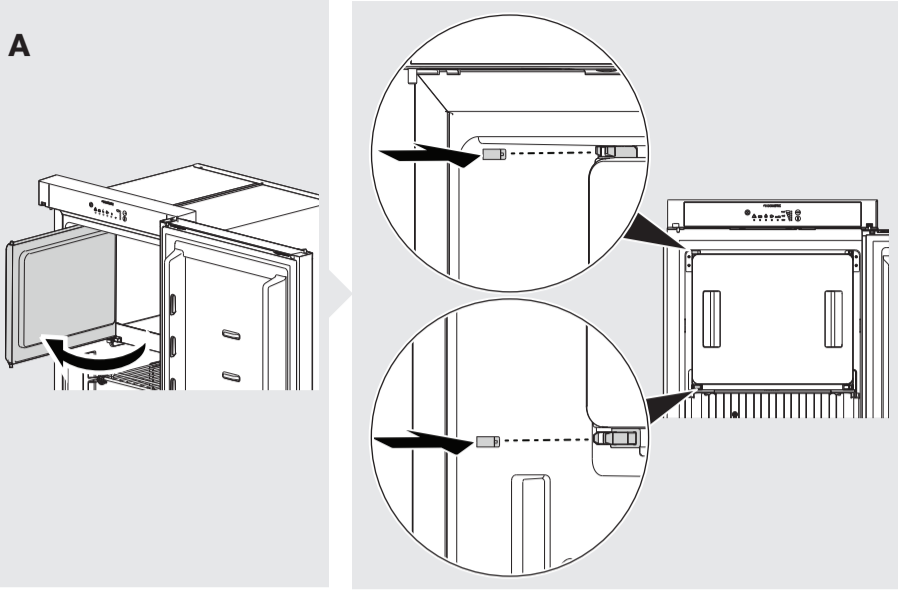
**Oven/Grill OFF**



21

RML 10.4

A



B

