

Thule Door Lock



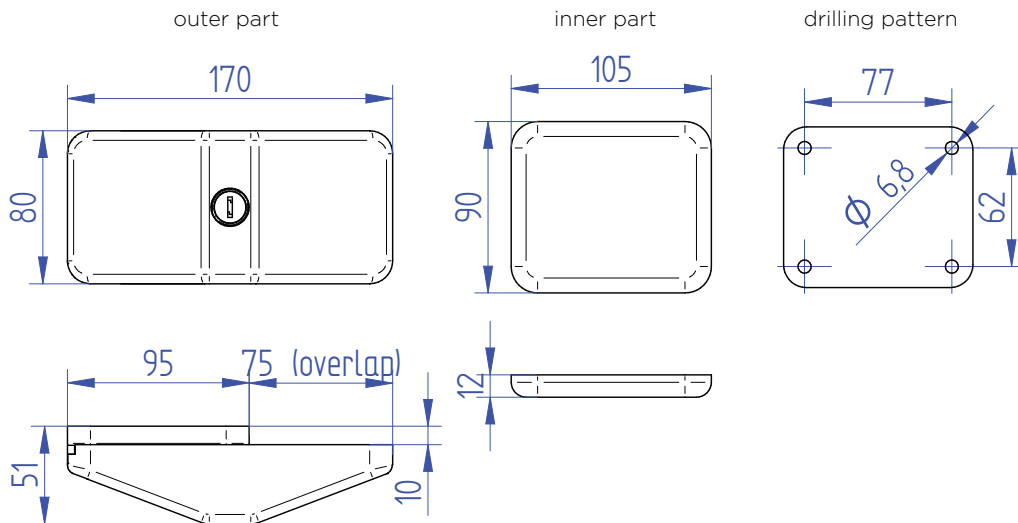
Information

- Material solid powder-coated aluminium
- Colour white
- Net weight 0.850 kg
- Gross weight 0.915 kg(=with packaging)

Specs

- Mounted through the wall with a mounting plate, a sealing cover and bolts.
- Fast and simple to install into the motorhome or caravan.
- Slide left or right to lock and secure the motorhome and caravan doors, hatches or garage.
- The same Door lock can be used for left or right opening doors.

Technical Drawing



Bolt length	wall thickness (mm)		
	min	max	
35	25	30	
40	30	35	Standard delivered bolts
45	35	40	
50	40	45	

308888	Thule Door Lock Single pack
308890	Thule Door Lock Triple pack